

Date: _____ For: File Resubmit
 PO No.: _____ Approval Other _____
 Architect: _____ GC: _____
 Engr: _____ Mech: _____
 Rep: _____
 (Company) _____ (Project Manager) _____



LA120HYV3
ARTCOOL™ Prestige Single Zone Inverter
 Outdoor Unit (ODU) - LAU120HYV3 Indoor Unit (IDU) - LAN120HYV3

Performance:

Cooling:

Capacity (Btu/h)	12,000
SEER	25.5
EER	13.79

SEER - Seasonal Energy Efficiency Ratio EER - Energy Efficiency Ratio

Heating:

Capacity (Btu/h)	13,600
HSPF (IV/V)	12.5/10.9

HSPF - Heating Seasonal Performance Factor

Cooling Nominal Test Conditions: Indoor: 80°F DB/67°F WB Outdoor: 95°F DB/75°F WB
 Heating Nominal Test Conditions: Indoor: 70°F DB/60°F WB Outdoor: 47°F DB/43°F WB

Electrical:

Power Supply (V ¹ /Hz/Ø)	208-230/60/1
-------------------------------------	--------------

Outdoor Unit:

MOP (A)	15
MCA (A)	11.2
Cooling Rated Amps (A)	8.70
Heating Rated Amps (A)	8.70
Compressor (A)	8.3
Fan Motor (A)	0.40

MOP - Maximum Overcurrent Protection MCA - Minimum Circuit Ampacity

Total Power Input:

Cooling Power Input (kW)	0.87
Heating Power Input (kW)	0.97

Piping:

Liquid Line (in, OD)	1/4
Vapor Line (in, OD)	3/8
Additional Refrigerant (oz/ft)	0.22
Max Pipe Length (ft)	65.6
Piping Length (no add'l refrigerant, ft)	24.6
Max Elevation (ft)	39.4

Controls Features:

- 24-Hour on/off timer
- Condensate sensor connection
- Self diagnosis
- 4-Way auto swing
- Defrost control
- Sleep mode
- Auto changeover
- Dehumidifying mode
- Soft dry operation
- Auto restart
- Hot start
- Ultra quiet operation
- Chaos wind
- Jet cool/Jet heat
- Cooling only switch
- Self cleaning indoor coil

Optional Accessories (sold separately):

- LG Programmable Thermostat - PREMTB100
 - Wind Guards- PAG-HS1 & PAG-HS3- Cooling operation down to -0 °F
- For a complete list of available accessories, contact your LG representative.

For continual product development, LG reserves the right to change specifications without notice.

© LG Electronics Canada, Inc., North York, ON. All rights reserved. "LG Life's Good" is a registered trademark of LG Corp./ www.lgdfs.ca

Operating Range:

Outdoor Unit:

Cooling (°F DB)	14-118
Heating (°F WB) ¹⁰	-22-64

Indoor Unit:

Cooling (°F WB)	64-90
Heating (°F DB)	60-86

Unit Data:

Refrigerant Type	R410A
Refrigerant Control	EEV
Refrigerant Charge (lbs)	2.54
ODU Sound Pressure (Max) ±3 dB(A) ³	50
IDU Sound Pressure (H/M/L/Sleep) ±3 dB(A) ³	42/36/26/22
ODU Net Unit Weight (lbs)	93.9
ODU Shipping Weight (lbs)	103.2
IDU Net Unit Weight (lbs)	25.1
IDU Shipping Weight (lbs)	29.5
Heat Exchanger Coating	GoldFin™

Fan:

ODU Type	Propeller
IDU Type	Cross Flow
Fan Speeds (Fan/Cooling/Heating)	6/6/6
Quantity (ODU + IDU)	1 + 1
Motor/Drive	Brushless Digitally Controlled/Direct
ODU Max Air Flow Rate (CFM)	1,730
IDU Air Flow H/M/L (CFM)	530/424/353
Dehumidification (pts/hr)	3.59

Notes:

1. Acceptable operating voltage: 187V - 253V.
2. Piping lengths are equivalent.
3. Sound Pressure levels are tested in an anechoic chamber under ISO Standard 1996.
4. All power/communication cable to be minimum 18 AWG, 4-conductor, stranded, shielded and must comply with applicable local and national code.
5. See Engineering Manual for sensible and latent capacities.
6. Power wiring cable size must comply with the applicable local and national code.
7. The indoor unit comes with a dry helium charge.
8. This data is rated 0 ft above sea level, with 24.6 ft of refrigerant line and a 0 ft level difference between outdoor and indoor units.
9. Must follow installation instructions in the applicable LG installation manual.
10. Continuous heating operation down to -22 °F

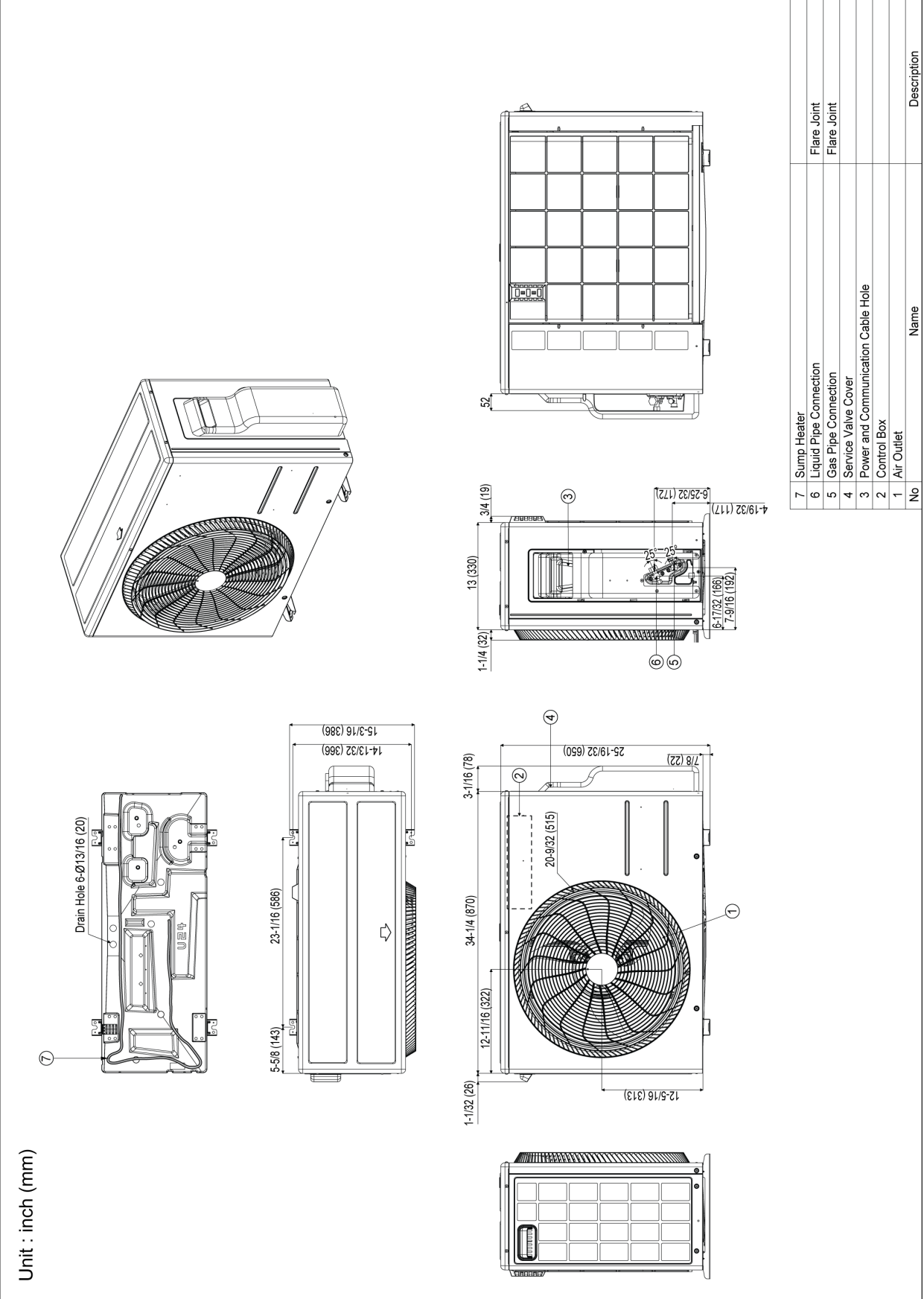


Job Name/Location:

LA120HYV3
Art Cool™ Premier Single Zone Inverter
 Outdoor Unit (ODU) - LAU120HYV3 Indoor Unit (IDU) - LAN120HYV3



Tag #: _____
 Date: _____
 PO No.: _____



For continual product development, LG reserves the right to change specifications without notice.

© LG Electronics Canada, Inc., North York, ON. All rights reserved. "LG Life's Good" is a registered trademark of LG Corp. /www.lgdfs.com

SB_SZ_ArtCoolPremier_LA120HYV3_2020_03_17_090006

LA120HYV3

Art Cool™ Premier Single Zone Inverter

Outdoor Unit (ODU) - LAU120HYV3 Indoor Unit (IDU) - LAN120HYV3



Tag #:

Date:

PO No.:

